

Standard Glasswashers - medium

The Electrolux Dishwashing range is produced for customers with the highest conceivable demands for good efficiency, economy and ergonomics for dishwashing operation. The product range comprises glasswashers, undercounter dishwashers, hood type dishwashers, rack type dishwashers, flight type dishwashers and pot and pan washers. The Medium Standard Glasswasher range consists of models with square basket and charging height of 270mm. Models are made to wash glasses, cups and small plates.



727042

EASY TO INSTALL AND MAINTAIN

- The glasswashers require only 1 phase 230V, 16 Amp. supply.
- One model equipped with drain pump to facilitate installation.
- Simple service from the front.
- Detergent dispenser for easy connection to the external detergent source.

EASY TO CLEAN

- The glasswashers have a smooth surfaces.
- All the internal elements (arms and filter) are easily extractable.
- 304 AISI stainless steel front and side panels, wash tank and filter.

EASY TO USE

- Built-in rinse water heater to increase the temperature of the final rinse water.
- Built-in rinse aid dispenser for perfect rinsing results.
- Simple control panel.
- One dishwashing program for normally soiled items.
- Counter-balanced door with springs on each side.

CONSTRUCTION FEATURES

- Double skinned construction.
- Wash/rinse arms and nozzles in polypropylene.
- Completely closed on the reverse by a cover plate.
- All models finished in top quality materials to aid durability.

EASY ON THE ENVIRONMENT

- 98% recyclable by weight.
- CFC free packaging.
- Low noise level.
- Developed and produced in ISO 9001 and ISO 14001 certified factory.



Electrolux

**Electrolux Dishwashing
Standard Glasswashers - medium**

	WT2Q 727041	WT2QD 727042	WT2QDD 727043
TECHNICAL DATA			
Water supply			
pressure min. , max. - bar	2, 4	2, 4	2, 4
temperature - °C	10	10	10
hardness - °f	7-14	7-14	7-14
hardness - °d	4-8	4-8	4-8
Drain pump			
Detergent dispenser		●	●
N° of cycles	1	1	1
Duration cycles - sec.	120	120	120
Basket capacity/h	30	30	30
External dimensions - mm			
width	510	510	510
depth	512	512	512
height	745	745	745
Cell dimensions - mm			
height	270	270	270
Washing cycle			
temperature - °C	55-65	55-65	55-65
tank capacity - lt.	12	12	12
power pump - kW	0.55	0.55	0.55
electrical elements - kW	2	2	2
Hot rinse cycle			
duration - sec.	15	15	15
temperature during rinse - °C	80-90	80-90	80-90
water consumption - lt./cycle	2	2	2
Boiler capacity - lt.	3.25	3.25	3.25
Boiler elements - kW	2.4	2.4	2.4
Power - kW			
drain pump			0.034
total power	2.6	2.6	2.6
Net weight - kg.	42	42	42
INCLUDED ACCESSORIES			
RECT.CUTLERY HOLDER(65X130X100H)-2 COMP.	1	1	1
SQ. BASKET 400X400MM INCL.BOTTOM H=120MM		1	1
SQUARE BASKET 400X400 MM (H. 120 MM)	1		
ACCESSORIES			
RECT.CUTLERY HOLDER(65X130X100H)-2 COMP.	860140		860140
S/S STAND FOR GW WITH BASKET 400X400MM	860154	860154	860154
SQ. BASKET 400X400MM INCL.BOTTOM H=120MM	860152		860152
SQUARE BASKET 400X400 MM (H. 120 MM)	860139	860139	860139
SQUARE BASKET 400X400 MM (H. 180 MM)	860149	860149	860149
SQUARE BASKET 400X400 MM-INCLINED BOTTOM	860150	860150	860150

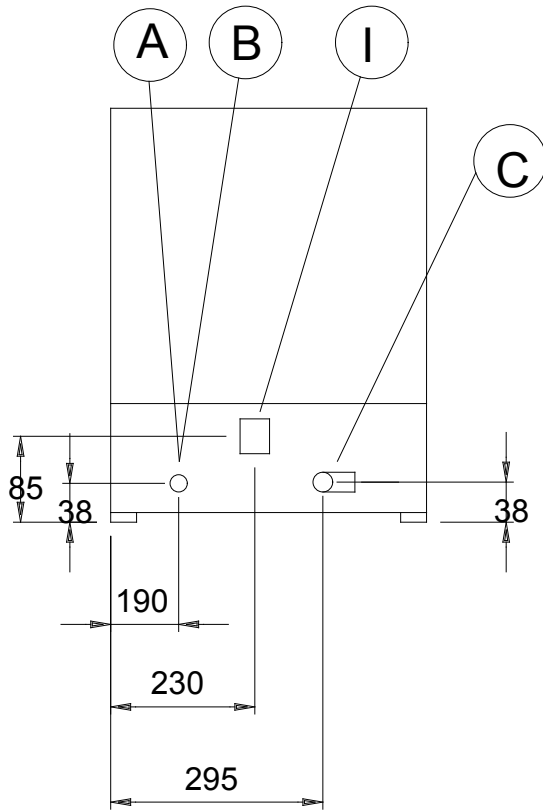
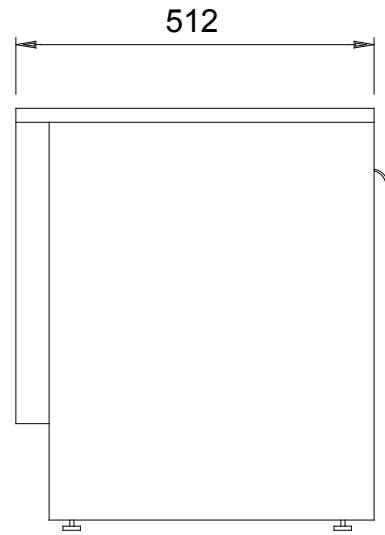
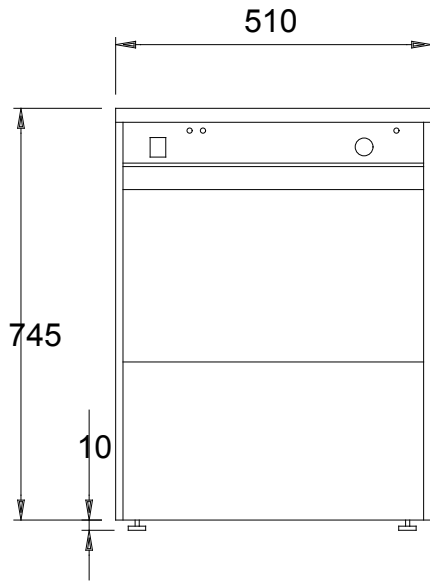
IAC0020

2008-07-25

Subject to change without notice

**Electrolux Dishwashing
Standard Glasswashers - medium**

727041



LEGEND B - Cold water inlet C - Water drain I - Electrical connection	WT2Q 727041
	G 3/4"
	25mm
	230 V, 1N, 50

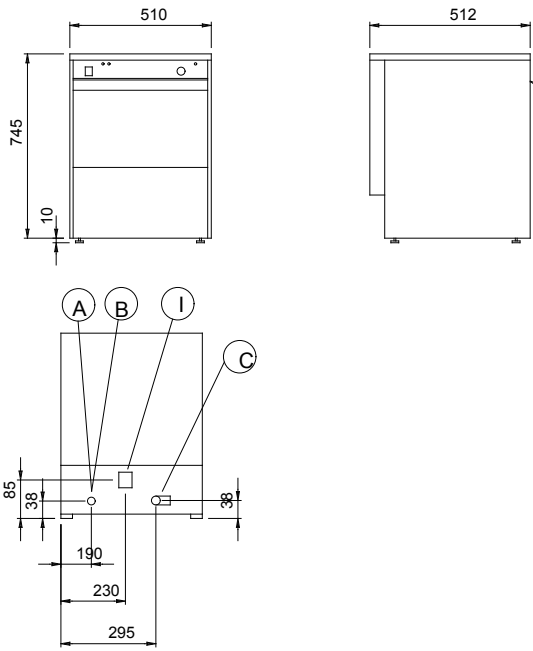
IAC0020

2008-07-25

Subject to change without notice

**Electrolux Dishwashing
Standard Glasswashers - medium**

727042



LEGEND B - Cold water inlet C - Water drain I - Electrical connection	WT2QD 727042
	G 3/4"
	25mm
	230 V, 1N, 50

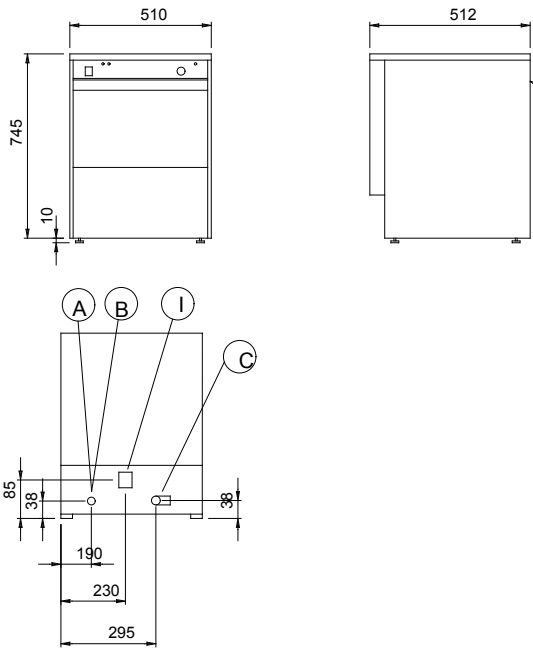
IAC0020

2008-07-25

Subject to change without notice

**Electrolux Dishwashing
Standard Glasswashers - medium**

727043



LEGEND B - Cold water inlet C - Water drain I - Electrical connection	WT2QDD 727043
	G 3/4"
	25mm
	230 V, 1N, 50

IAC0020

2008-07-25

Subject to change without notice